



**1**

E-B-AT...

02



**2**

E-A-AT...

05



**3**

E-A-EP...

10



**4**

E-TW...

13



**5**

E-AB...

16



**6**

E-VS...

18



**7**

E-AB-AP-SP...

20



**8**

E-US...

22



**9**

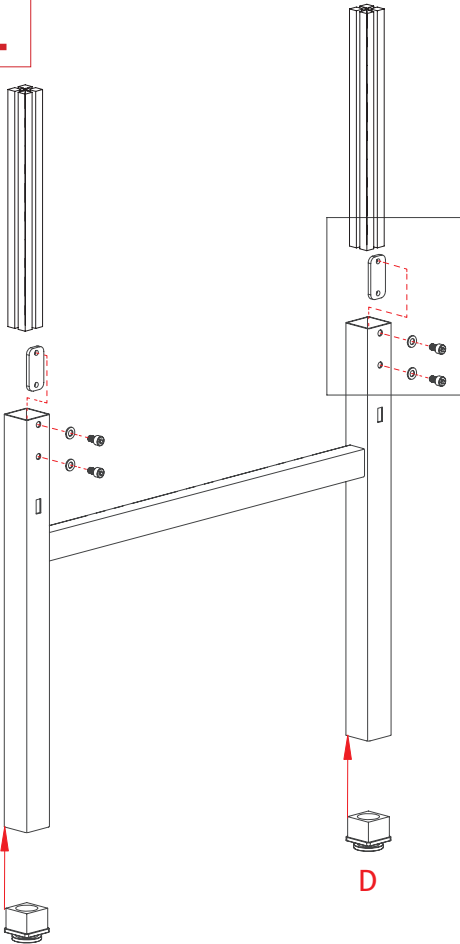
E-US...



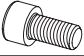



25

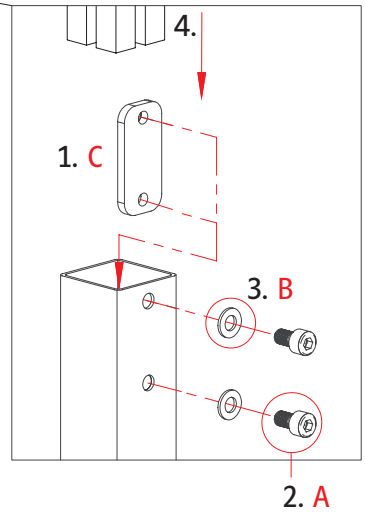
# 1 E-B-AT-...




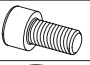

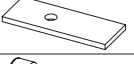
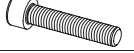
## 1

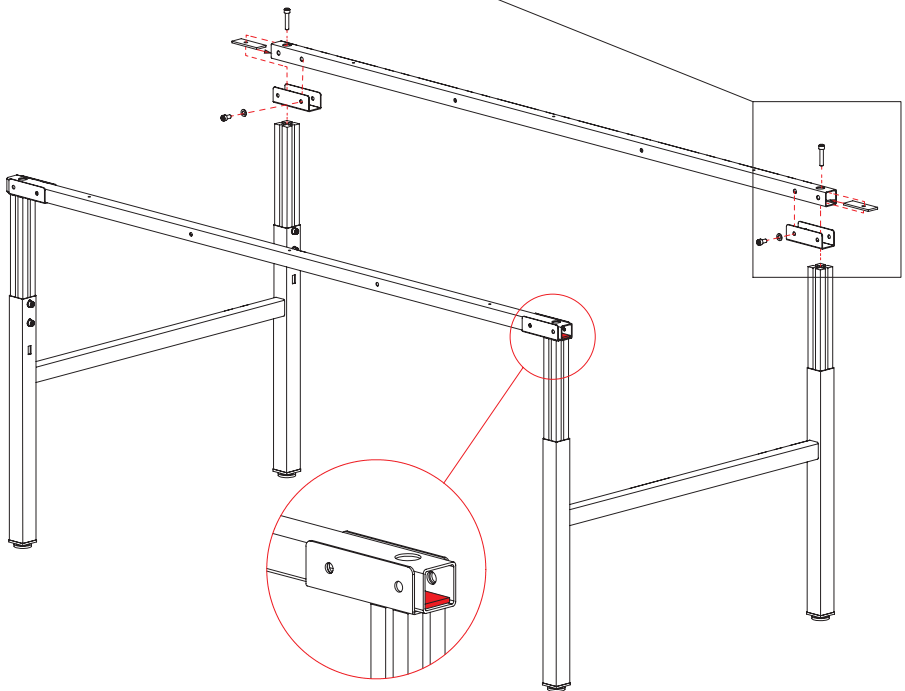
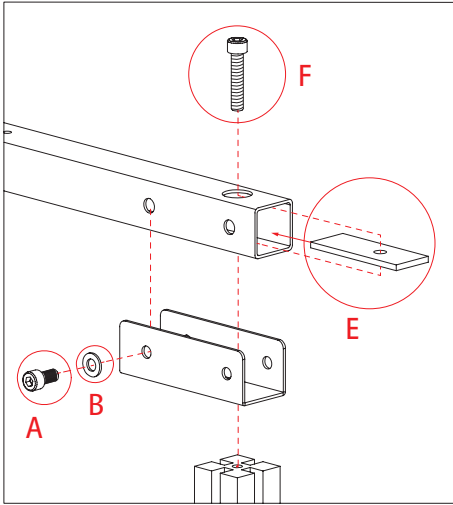


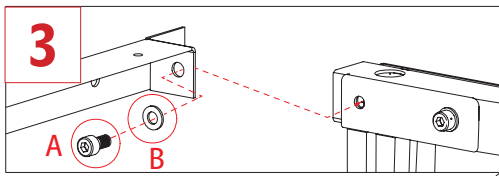
  SW6	A	8x M8x14	
	B	8x Ø8,4mm/ Ø16mm	
	C	4x 2xM8	
	D	4x	



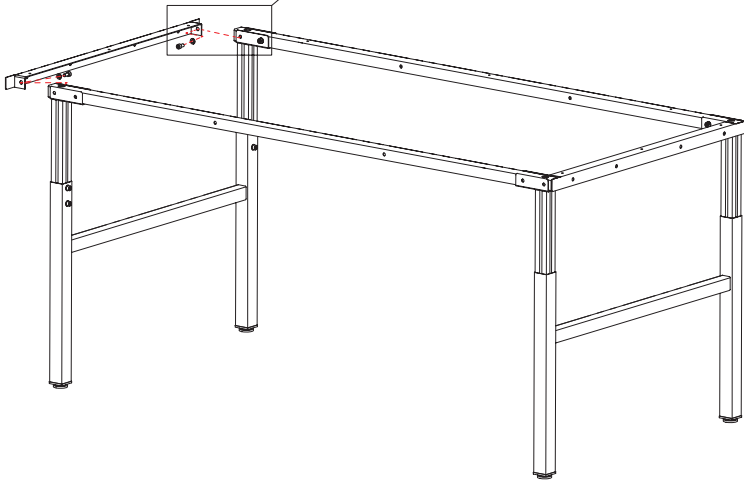
2

	A	4x M8x14	
	B	4x Ø8,4mm/ Ø16mm	
	E	4x	
	F	4x M8x40	



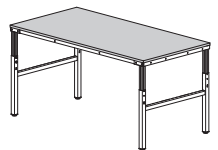
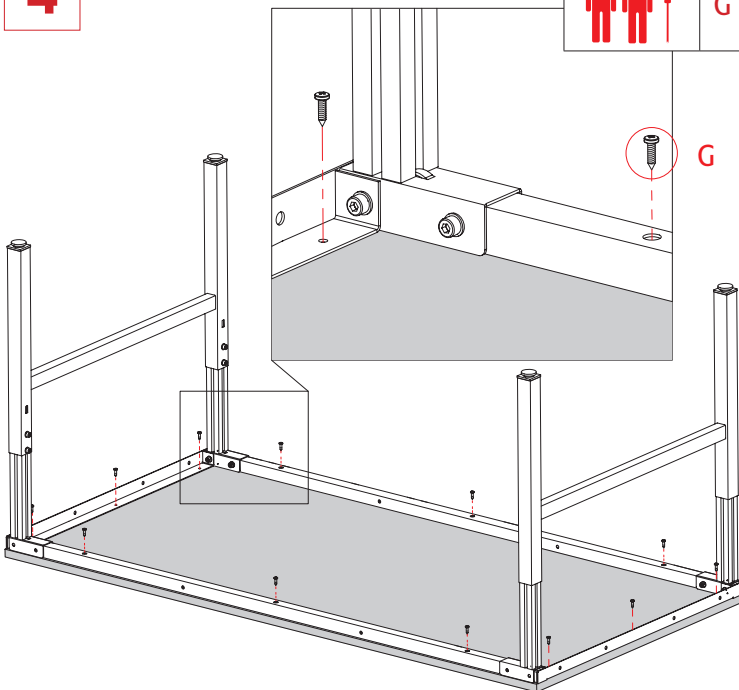


 SW6	A	4x M8x14	
	B	4x Ø8,4mm/ Ø16mm	



**4**

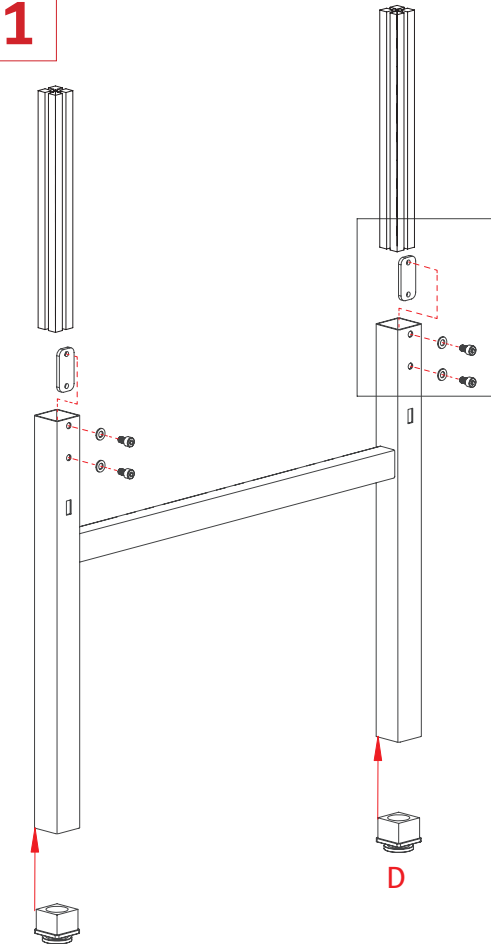
	G	12x 5x20mm	
--	---	------------	--



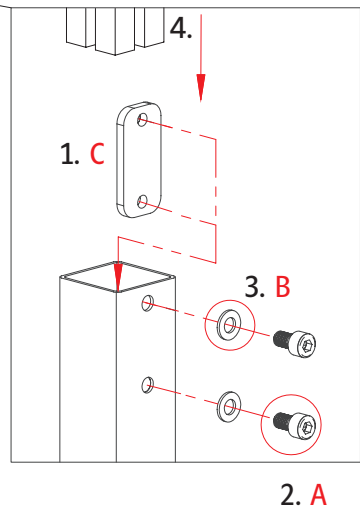
# 2 E-A-AT...




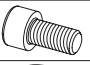

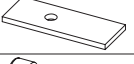
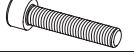
## 1

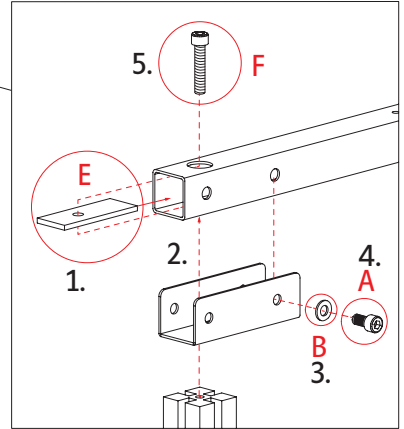
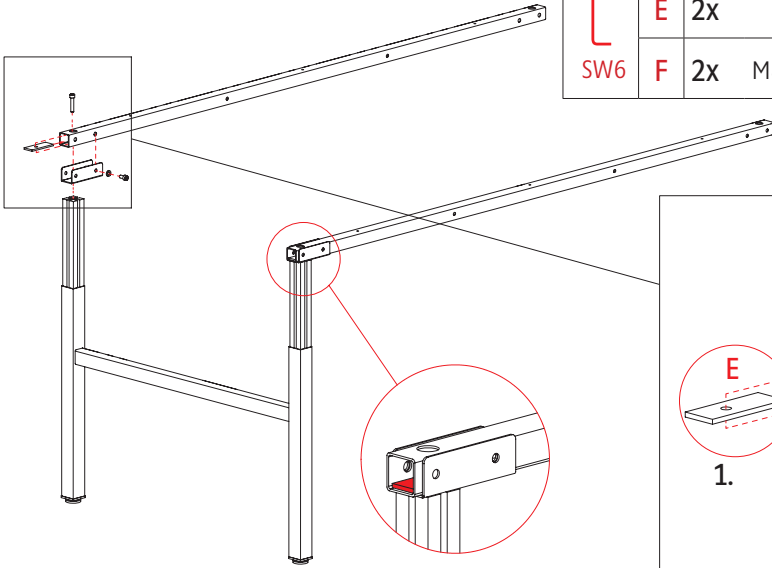


	<b>A</b>	4x M8x14	
	<b>B</b>	4x Ø8,4mm/ Ø16mm	
	<b>C</b>	2x 2xM8	
	<b>D</b>	2x	


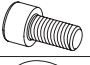



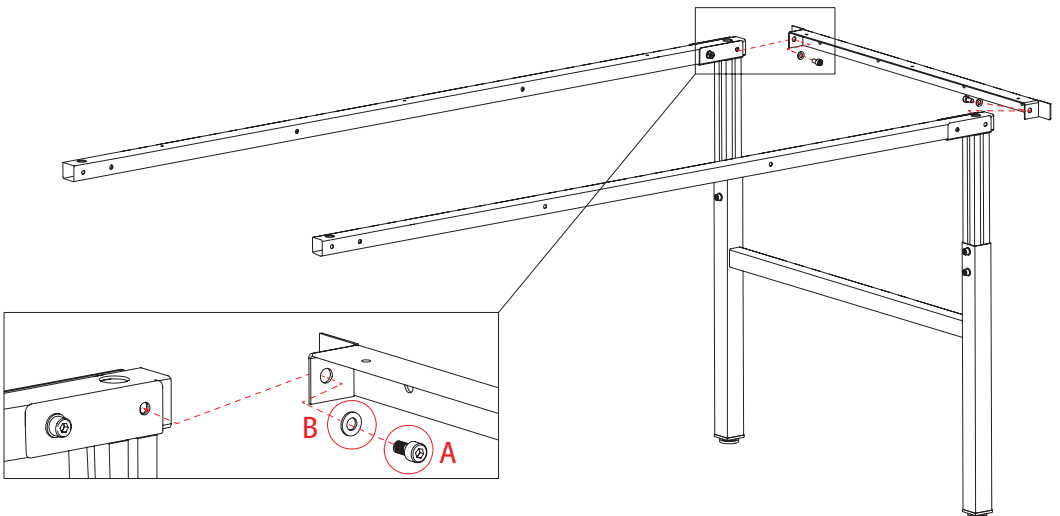
2

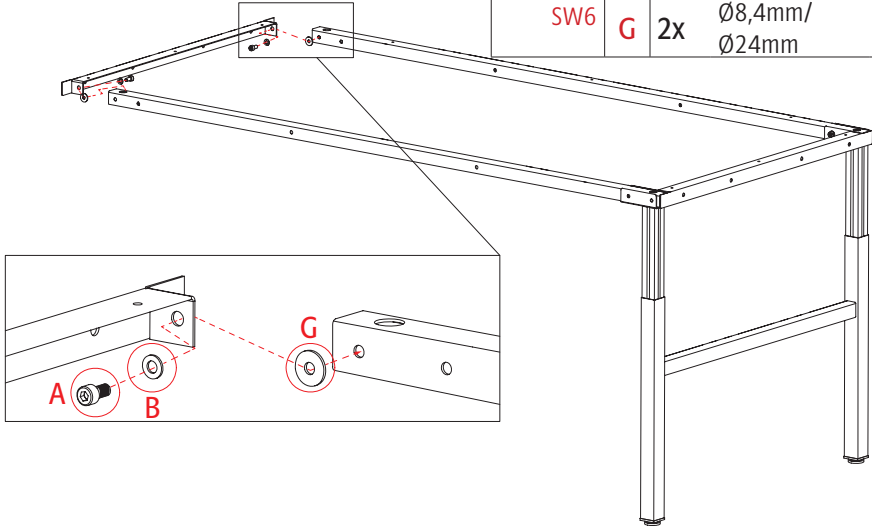
	A	2x	M8x14	
	B	2x	Ø8,4mm/ Ø16mm	
	E	2x		
	F	2x	M8x40	



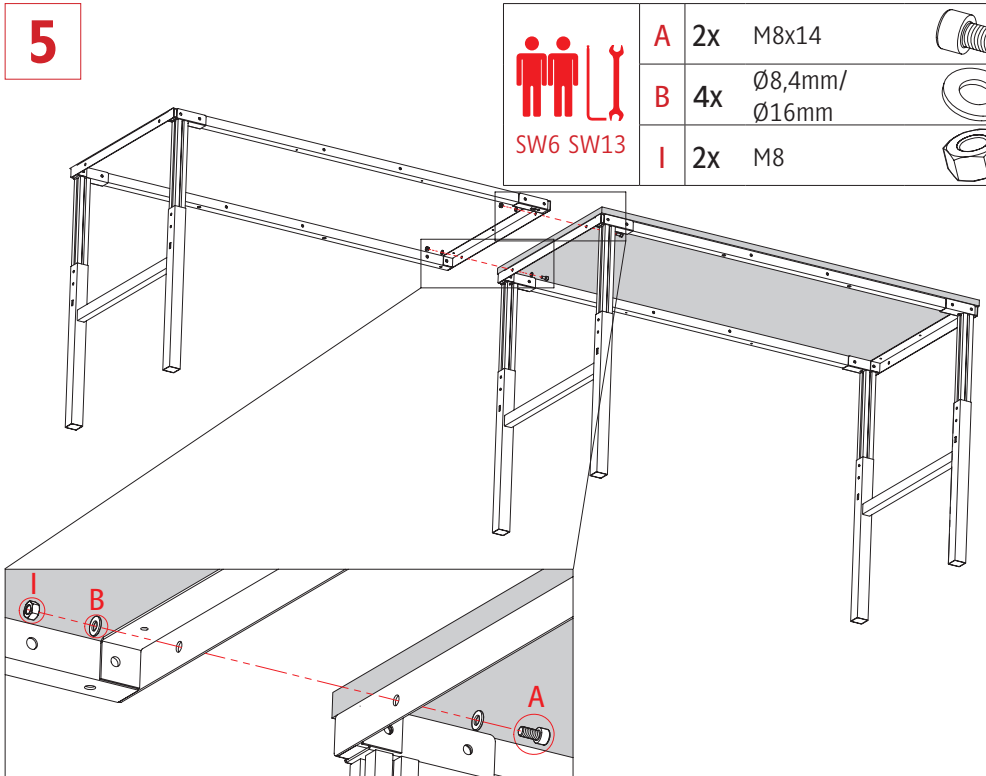
3

	A	2x	M8x14	
	B	2x	Ø8,4mm/ Ø16mm	





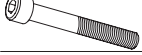


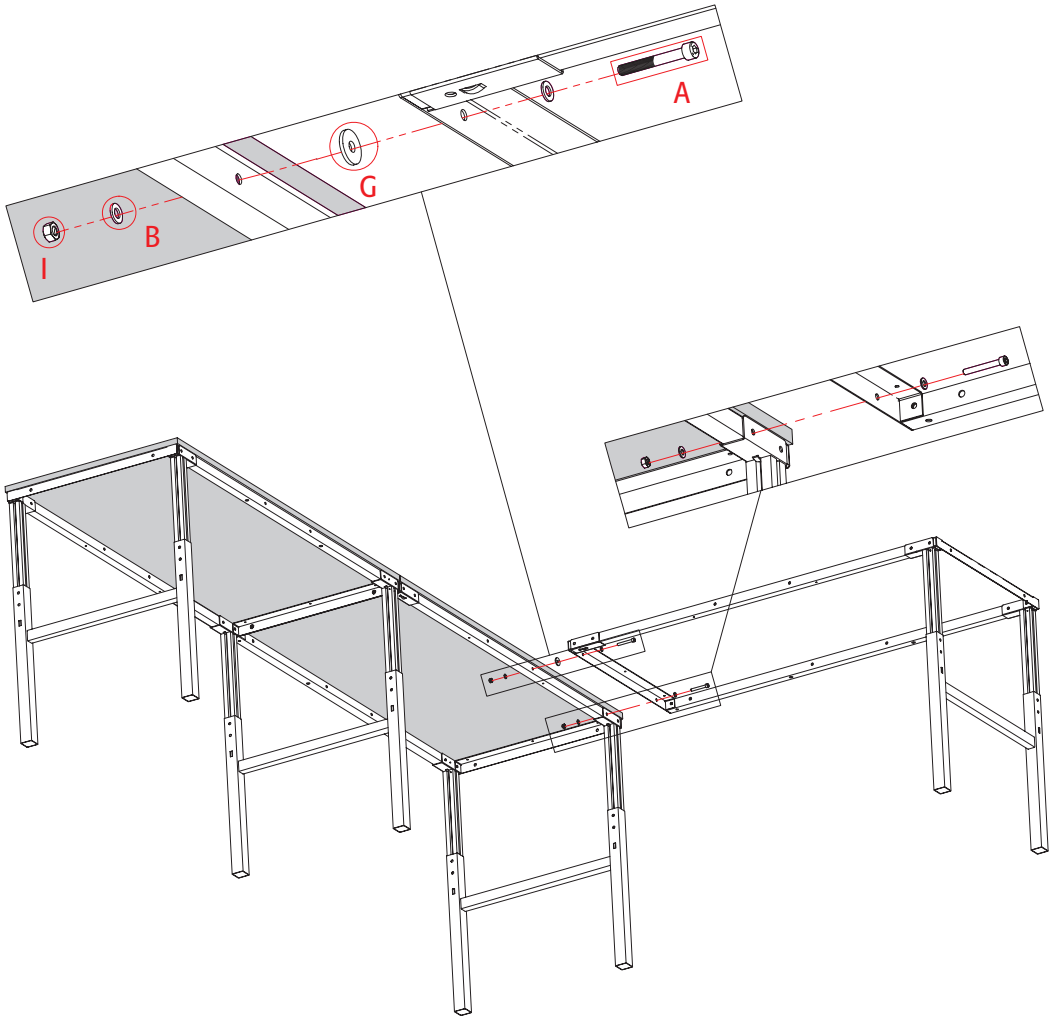
**4**

	<b>A</b>	2x	M8x14	
	<b>B</b>	2x	Ø8,4mm/ Ø16mm	
	<b>G</b>	2x	Ø8,4mm/ Ø24mm	

**5**


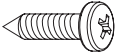
	<b>A</b>	2x	M8x14	
	<b>B</b>	4x	Ø8,4mm/ Ø16mm	
	<b>I</b>	2x	M8	

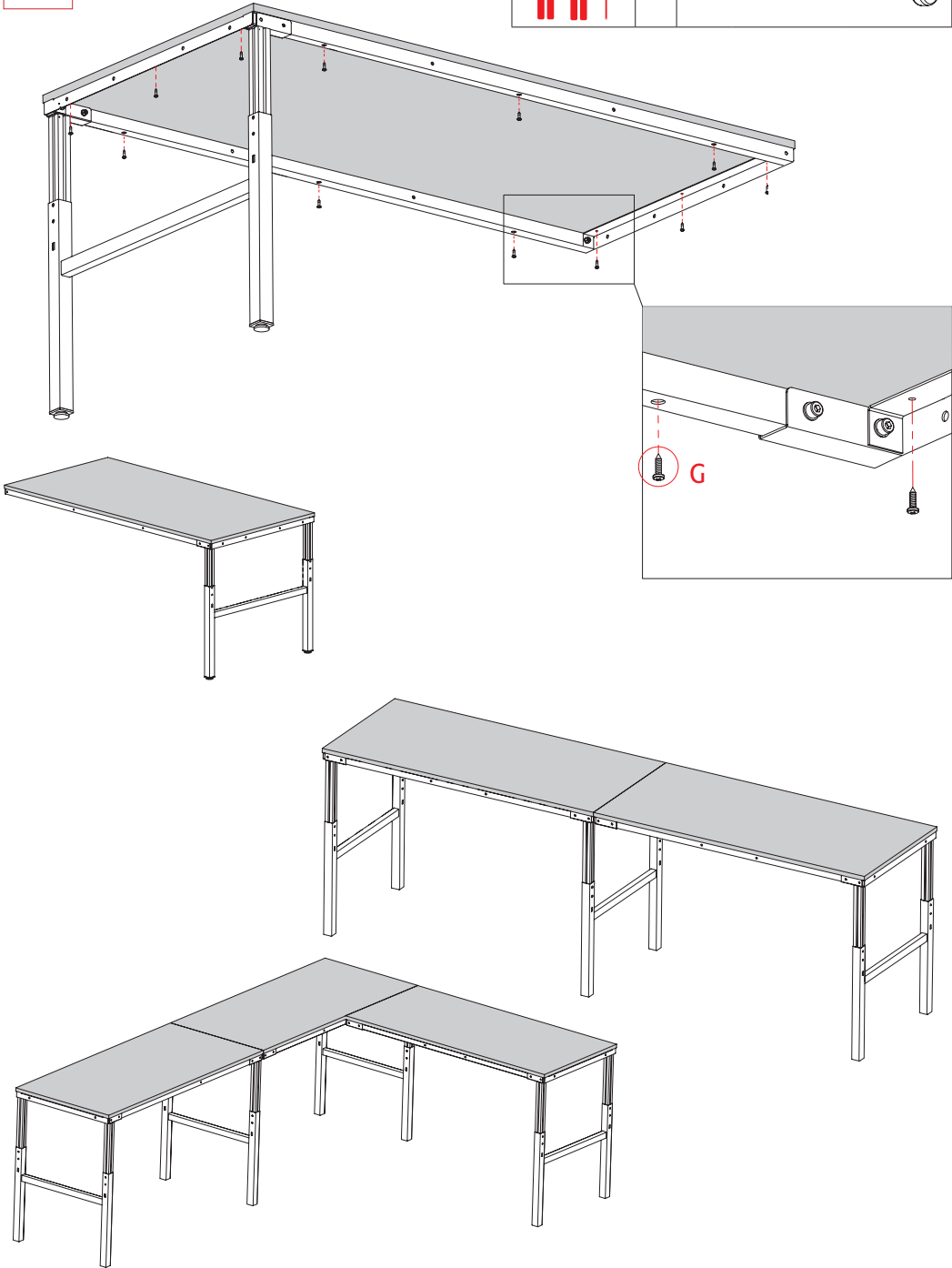
 SW6 SW13	<b>B</b>	4x $\varnothing 8,4\text{mm}/$ $\varnothing 16\text{mm}$	
	<b>G</b>	1x $\varnothing 8,4\text{mm}/$ $\varnothing 24\text{mm}$	
	<b>I</b>	2x M8	
	<b>J</b>	2x M8x50	





7

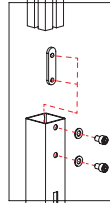
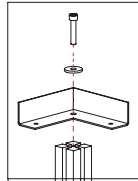
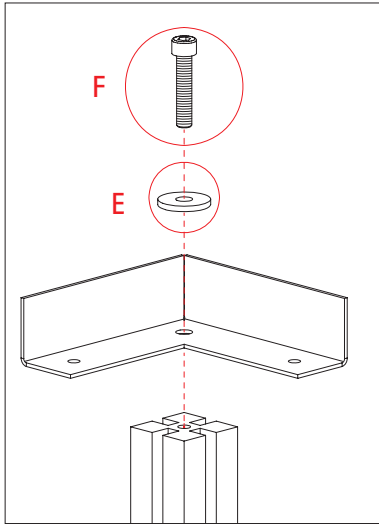
	<b>H</b> 12x 5x20mm 
--	---


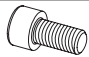







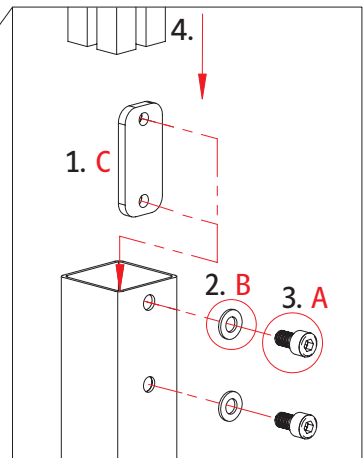
# 3 E-A-EP...

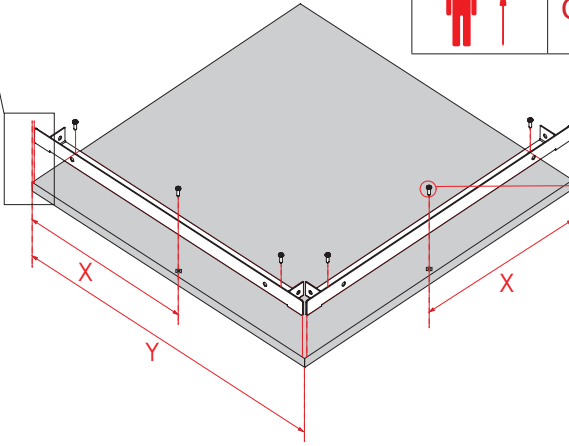
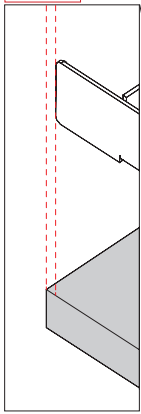


## 1

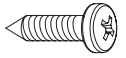


 SW6	<b>A</b>	2x M8x14	
	<b>B</b>	2x Ø8,4mm/ Ø16mm	
	<b>C</b>	1x 2xM8	
	<b>D</b>	1x	
	<b>E</b>	1x Ø9mm/ Ø28mm	
	<b>F</b>	1x M8x40	



**2****G**

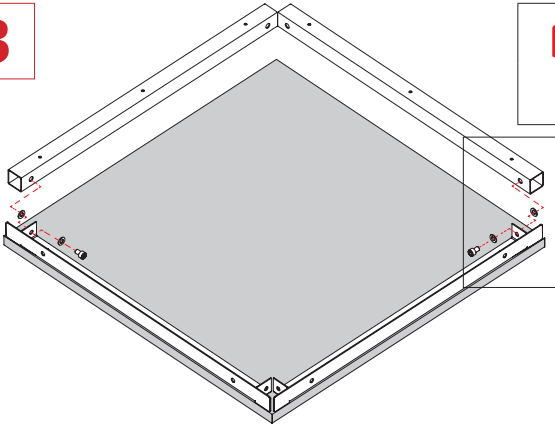
6x 5x20mm



Y=500 X=250

Y=700 X=350

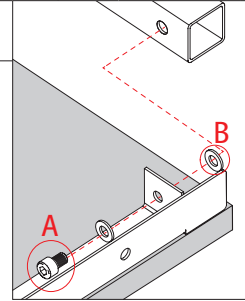
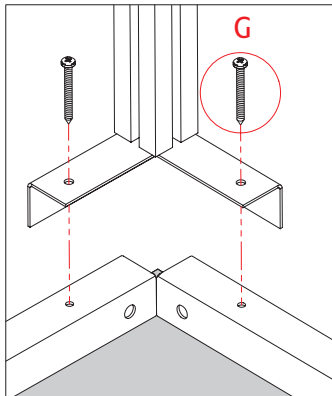
Y=900 X=450

**3**

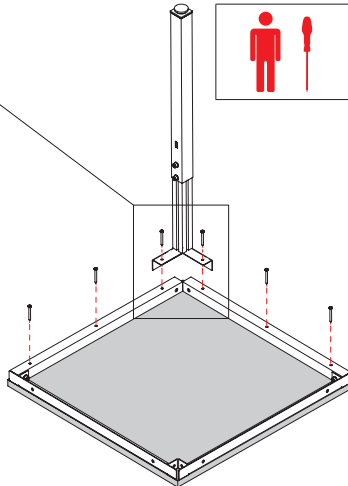
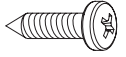
SW6

**A**

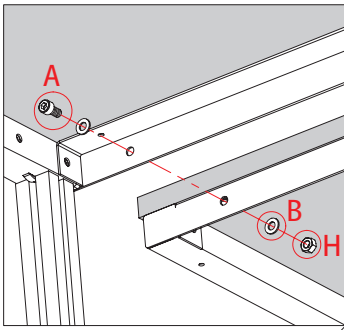
2x M8x14

**B**4x Ø8,4mm/  
Ø16mm**4****G****G**

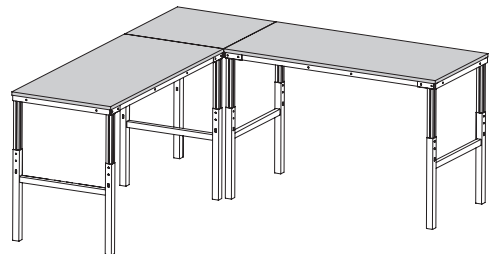
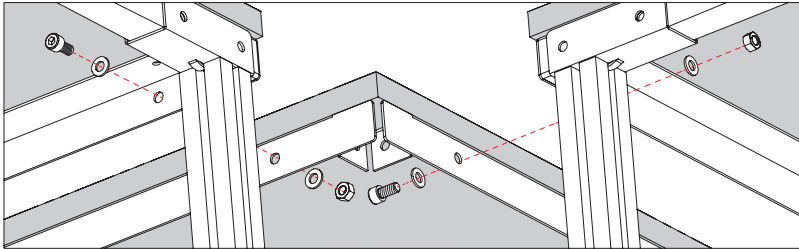
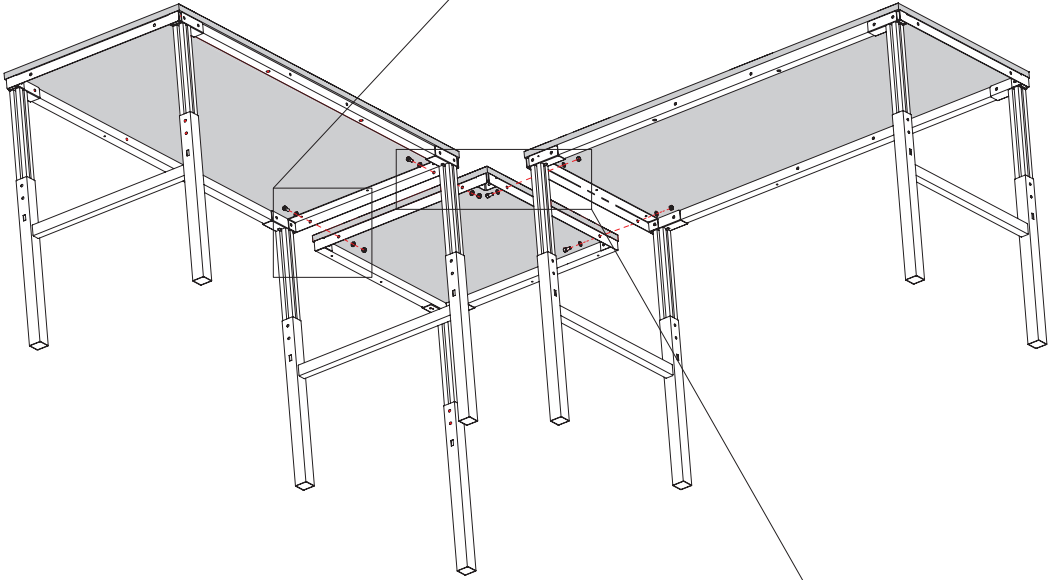
6x 5x50mm



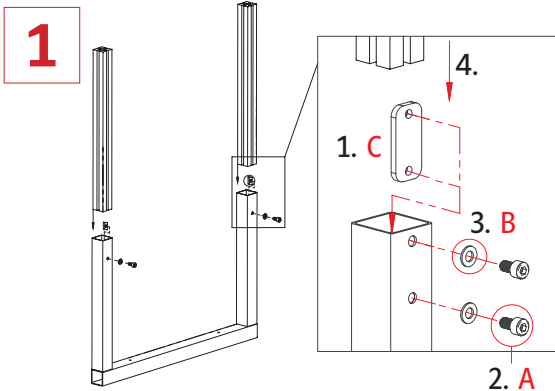
5



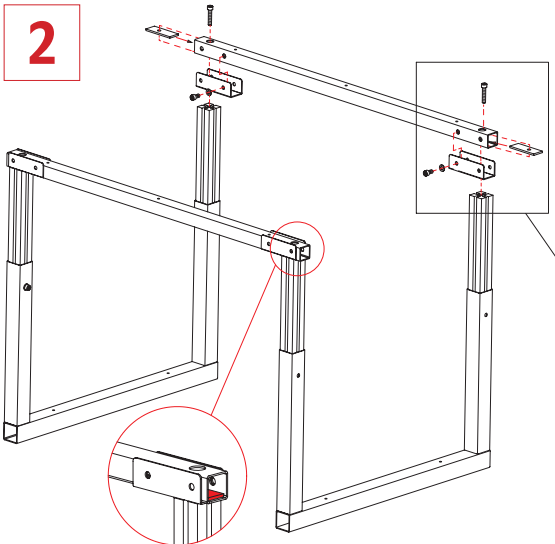
 SW6 SW13	<b>A</b>	4x M8x14	
	<b>B</b>	8x Ø8,4mm/ Ø16mm	
	<b>H</b>	4x M8	



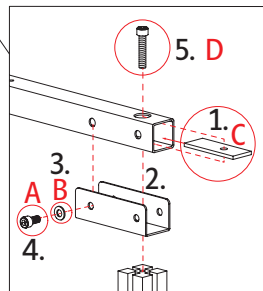
# 4 E-TW-...

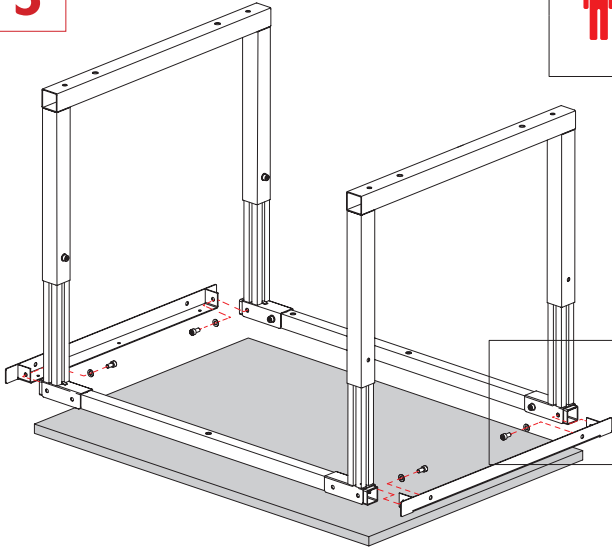


	A	8x M8x14	
	B	8x Ø8,4mm/ Ø16mm	
	C	4x M8	

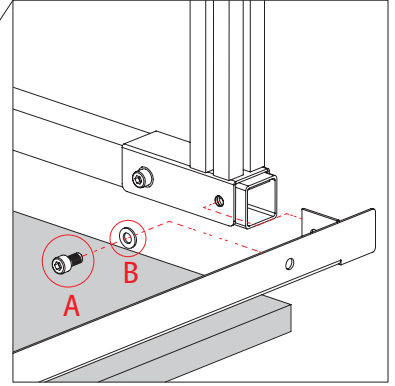
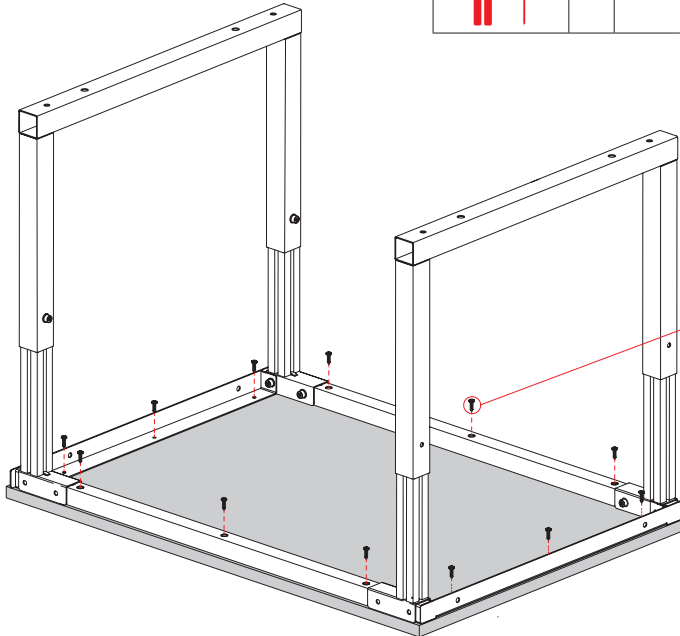


	A	4x M8x14	
	B	4x Ø8,4mm/ Ø16mm	
	C	4x	
	D	4x M8x40	

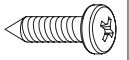


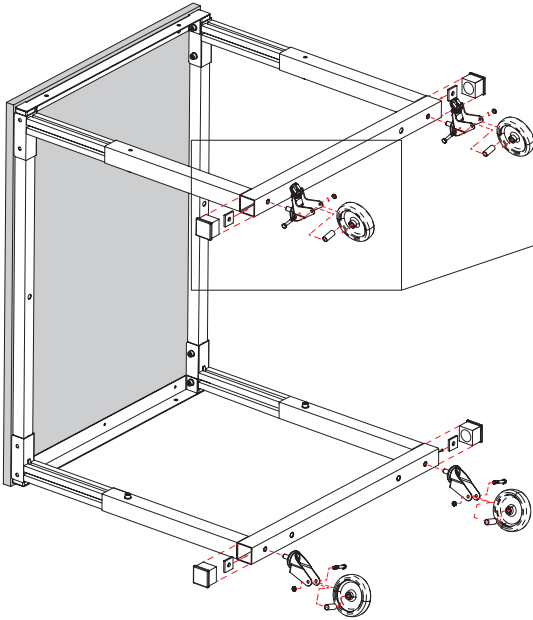
**3**




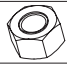
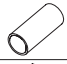
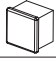
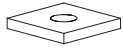
<b>A</b>	<b>4x</b>	<b>M8x14</b>
<b>B</b>	<b>4x</b>	<b>Ø8,4mm/ Ø16mm</b>

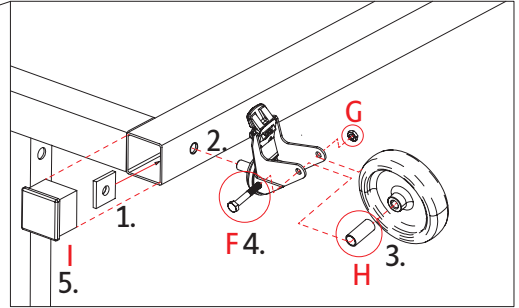
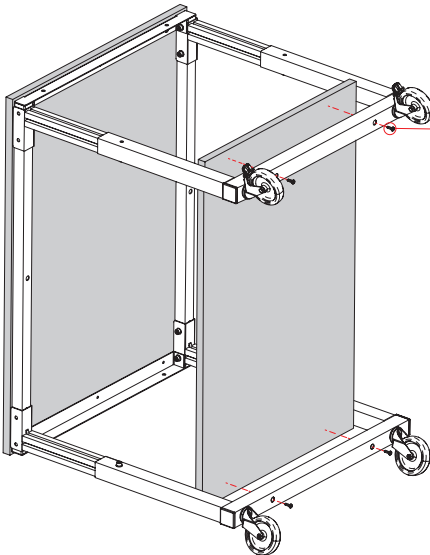
**4**


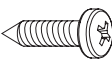
<b>E</b>	<b>12x</b>	<b>5x20mm</b>
----------	------------	---------------



**5**

  <b>SW10</b>	<b>F</b>	4x M6x40	
	<b>G</b>	4x M6	
	<b>H</b>	4x	
	<b>I</b>	4x M8x40	
	<b>K</b>	4x M8 30x30	

**6**

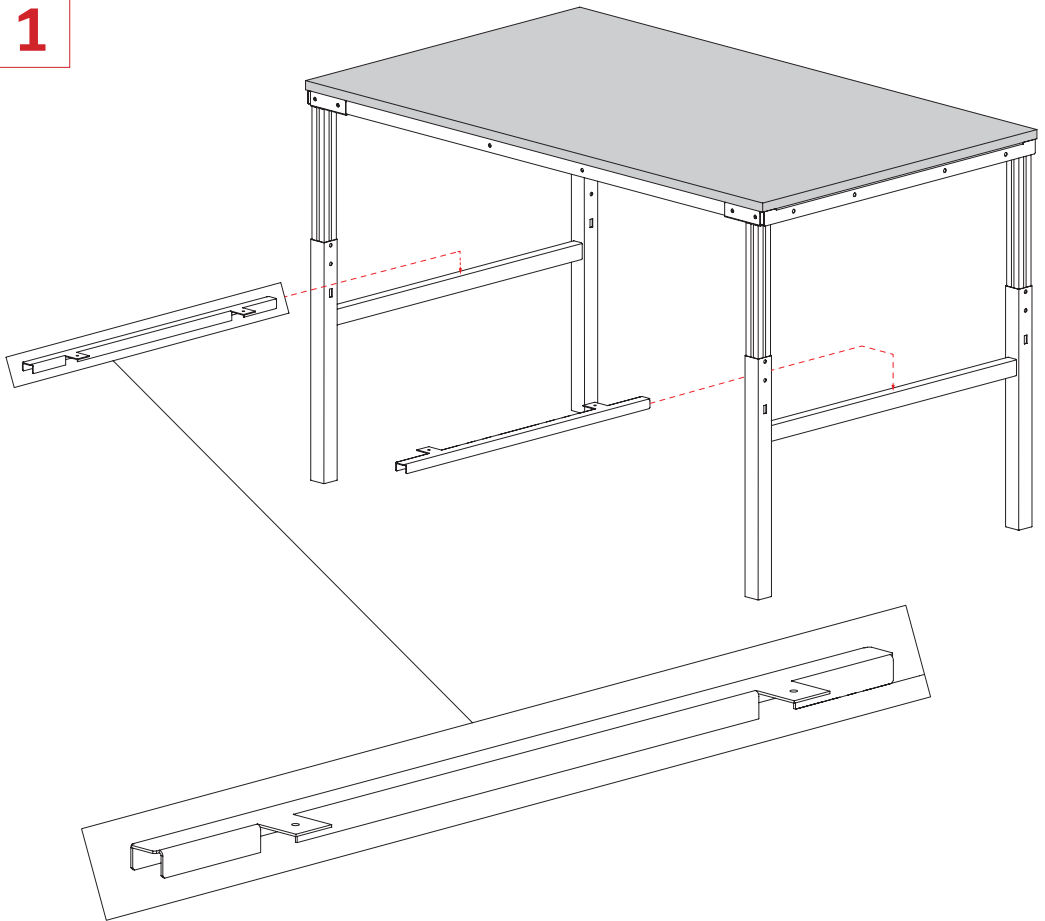
 	<b>E</b>	4x 5x20mm	
--	----------	-----------	--



**5** E-AB-...

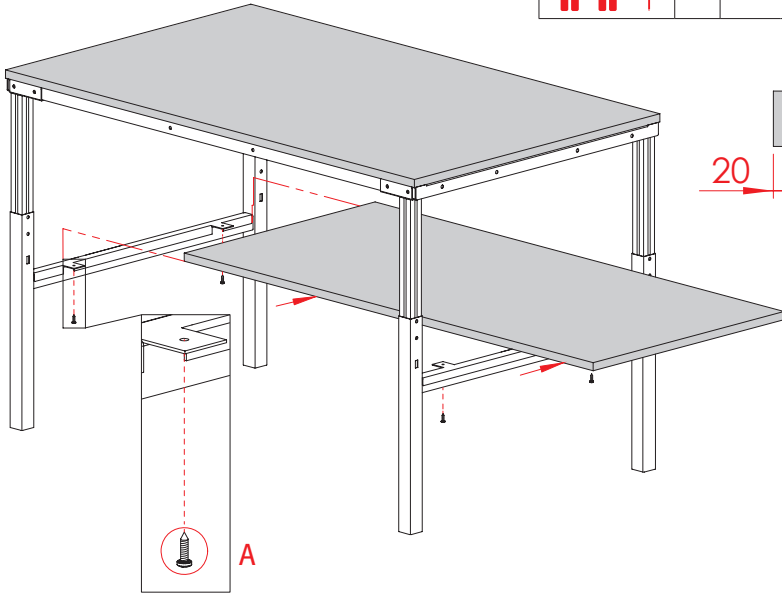


**1**

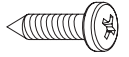




2

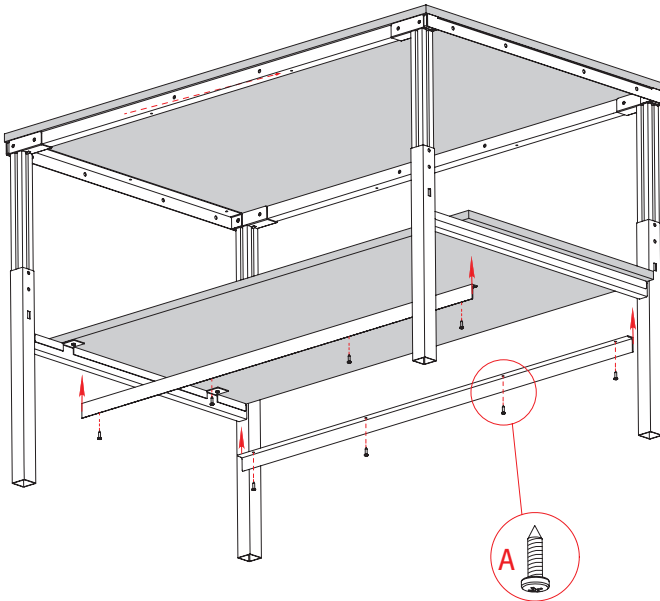


A 4x 5x20mm

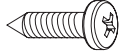


20

3



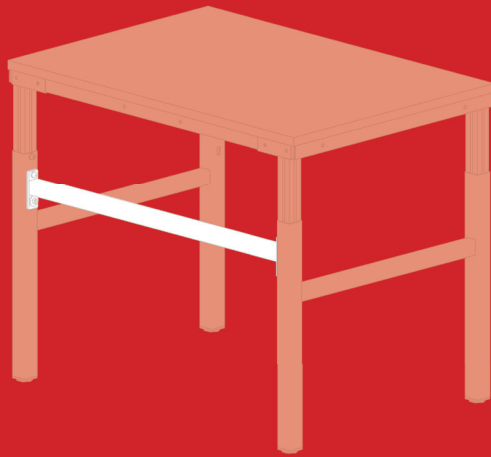
A 8x 5x20mm



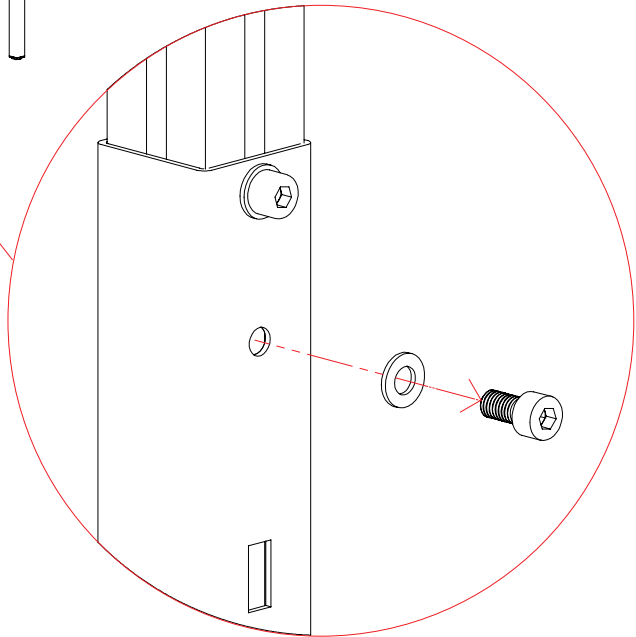
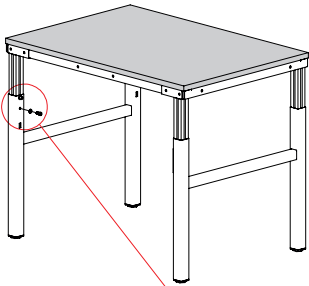
70

20


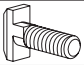
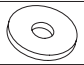

# 6 E-VS-...

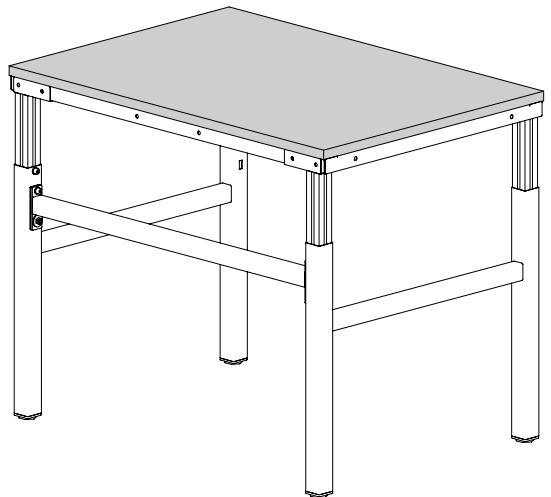
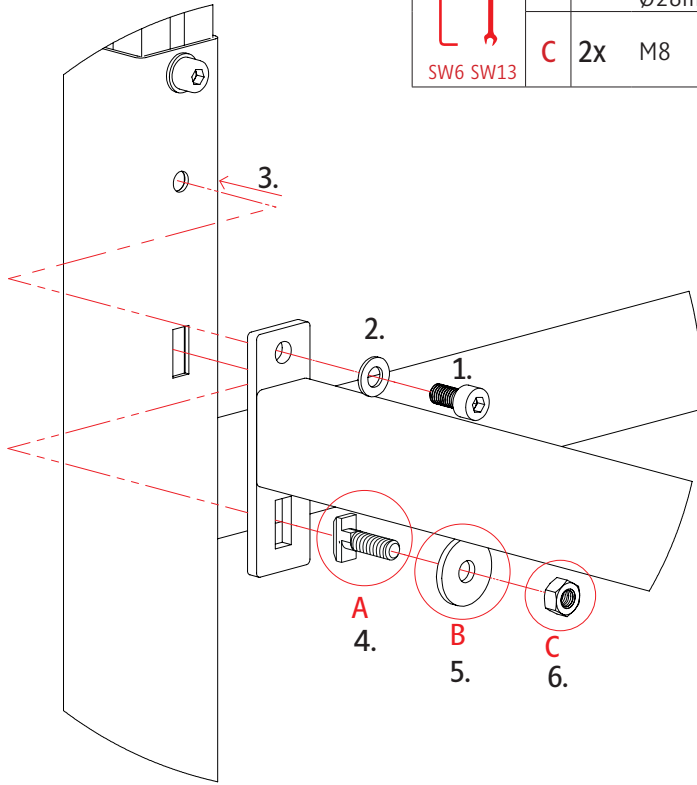


1



**2**

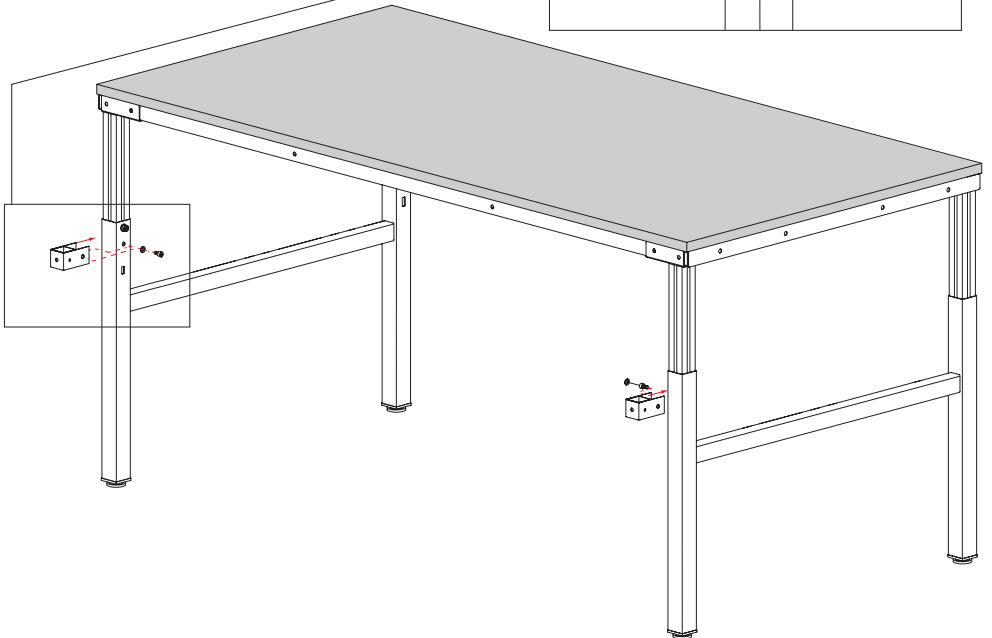
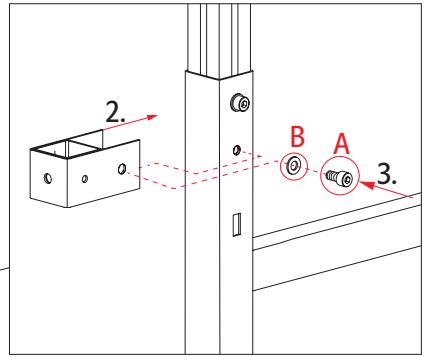
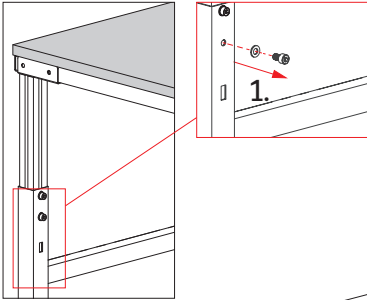
 SW6 SW13	<b>A</b>	2x	HM8x20mm	
	<b>B</b>	2x	Ø9mm/ Ø28mm	
	<b>C</b>	2x	M8	





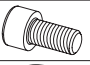




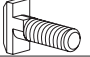


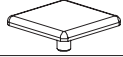
# 7 E-AB-AP-SP-...

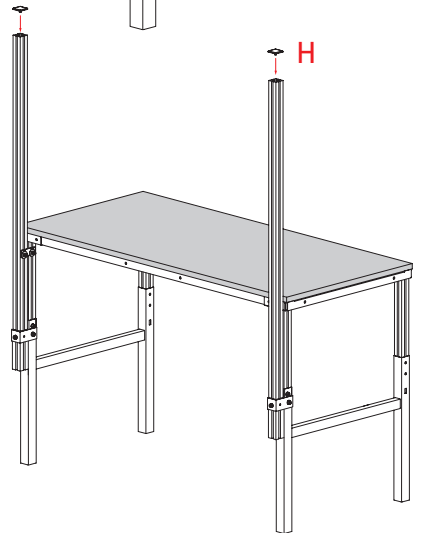
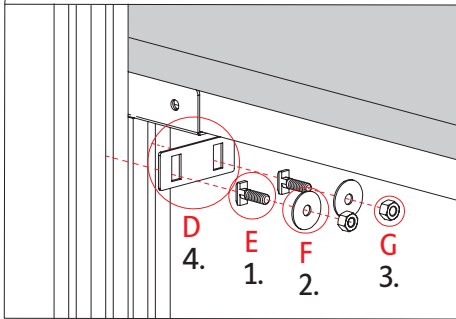
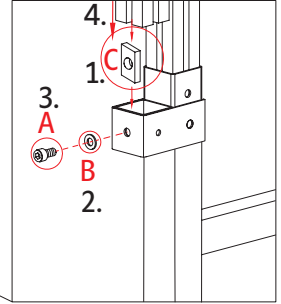
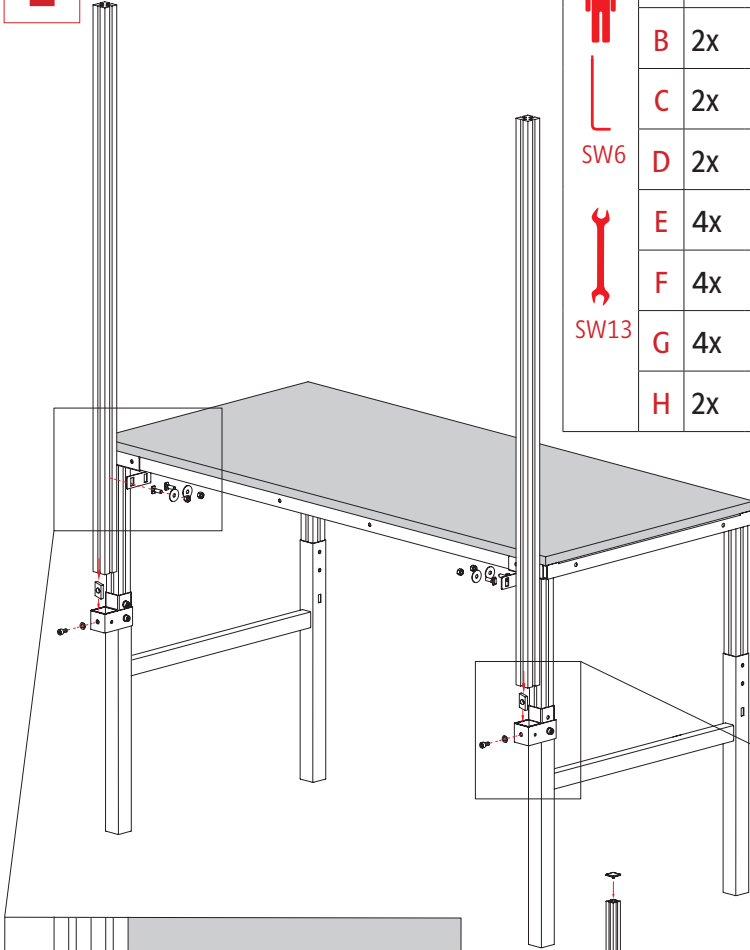


1



**2**

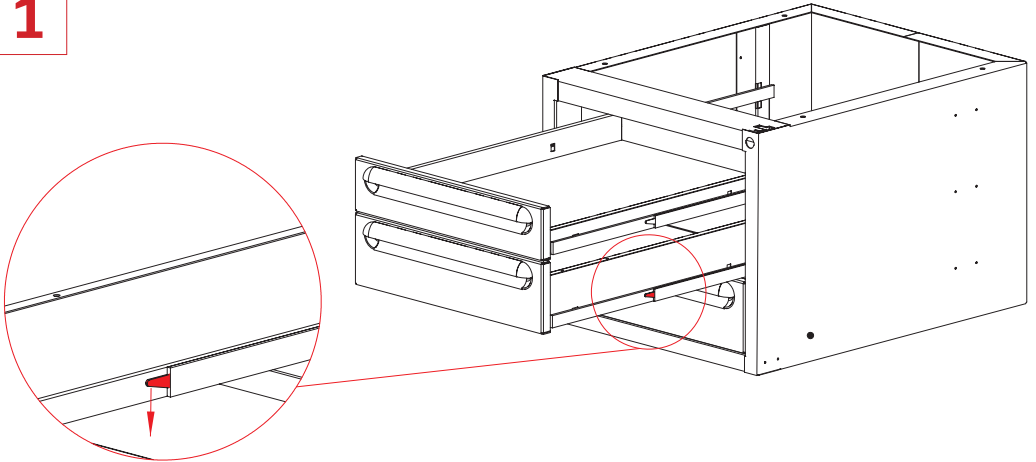
  SW6	<b>A</b> 2x M8x14	
	<b>B</b> 2x Ø8,4mm/ Ø16mm	
 SW13	<b>C</b> 2x M8	
	<b>D</b> 2x	
	<b>E</b> 4x HM8x20mm	
	<b>F</b> 4x M8	
	<b>G</b> 4x Ø8,4mm/ Ø25mm	
	<b>H</b> 2x	



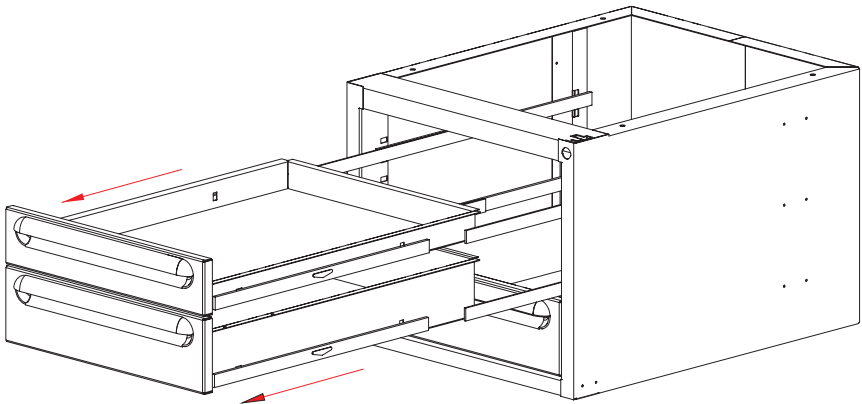
# 8 E-US-...

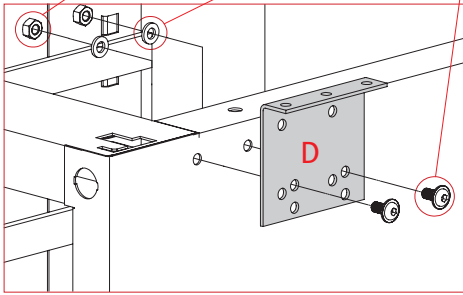
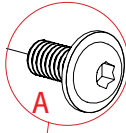
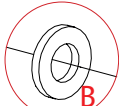
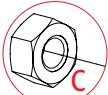


## 1

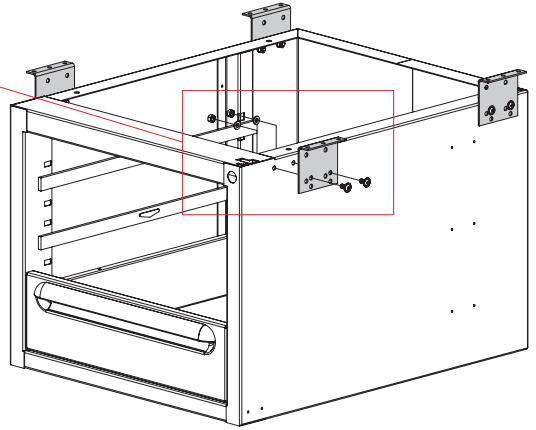


## 2

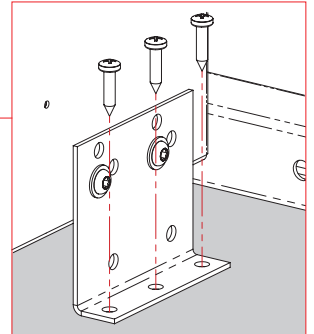
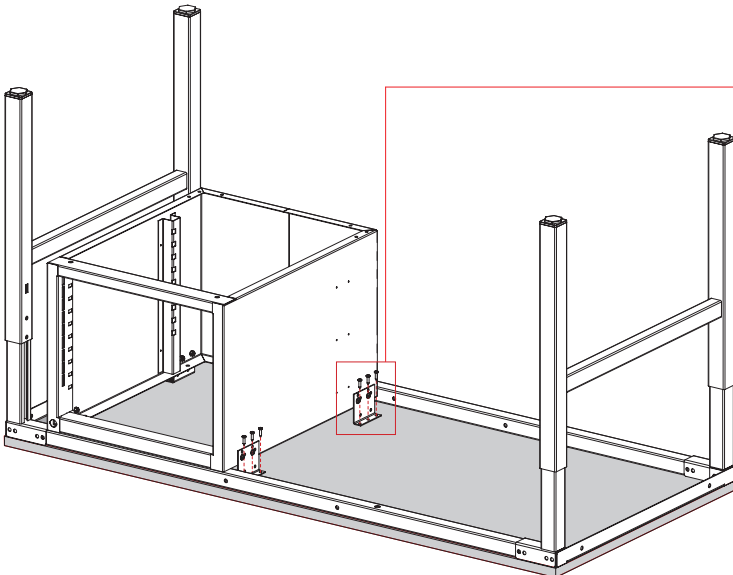


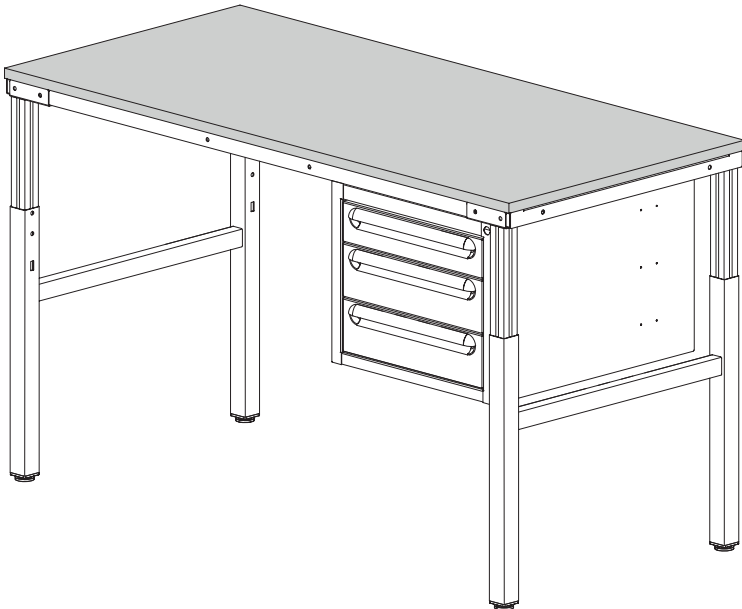
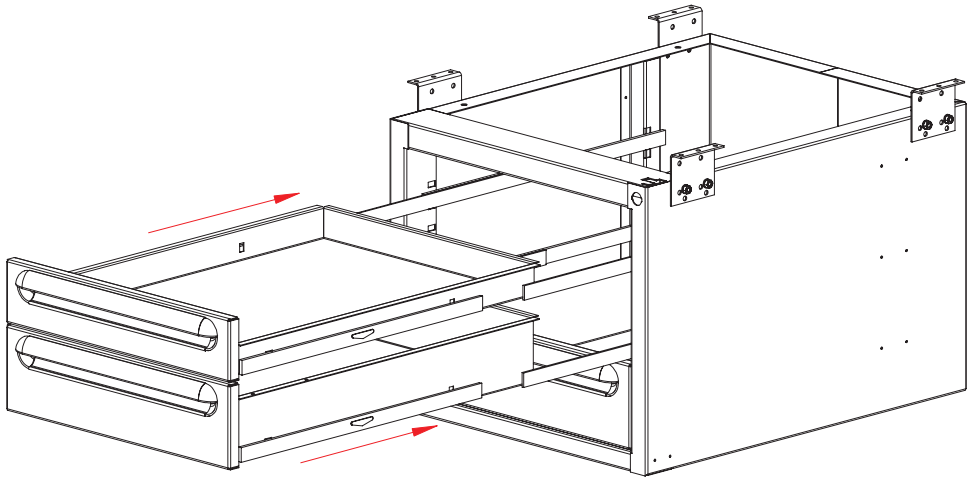
**3**

	A	8x M6x12	
	B	8x ø6,4	
	C	8x M6	
	D	4x	

**4**

E 12x 5x20mm

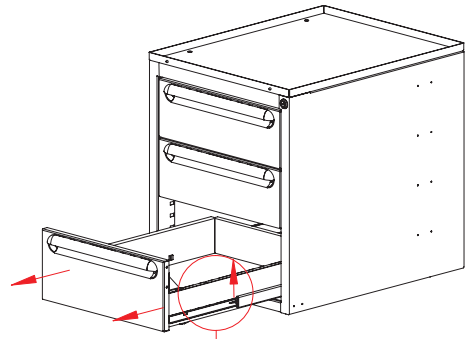
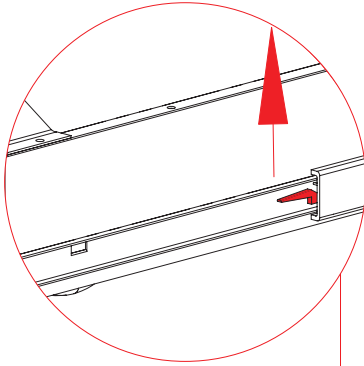




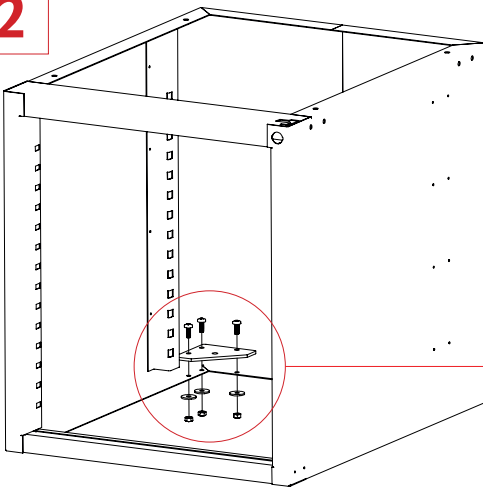




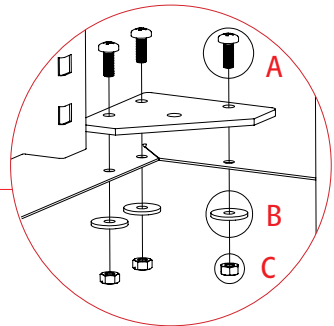
1





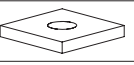

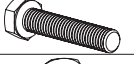
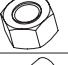

2

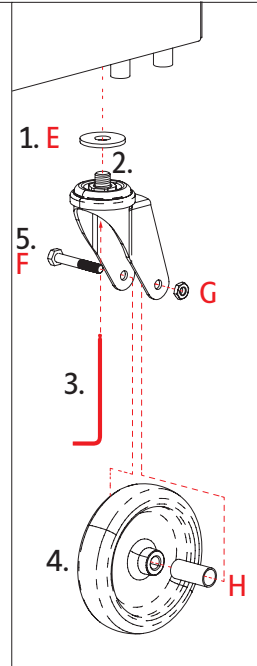
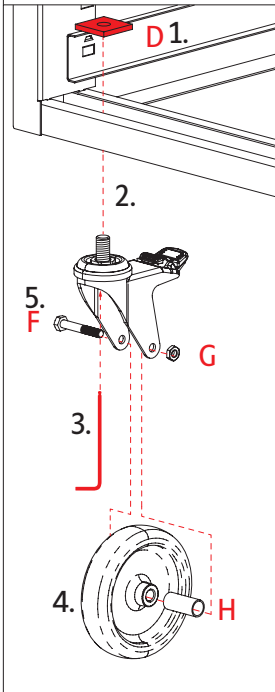
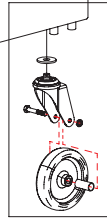
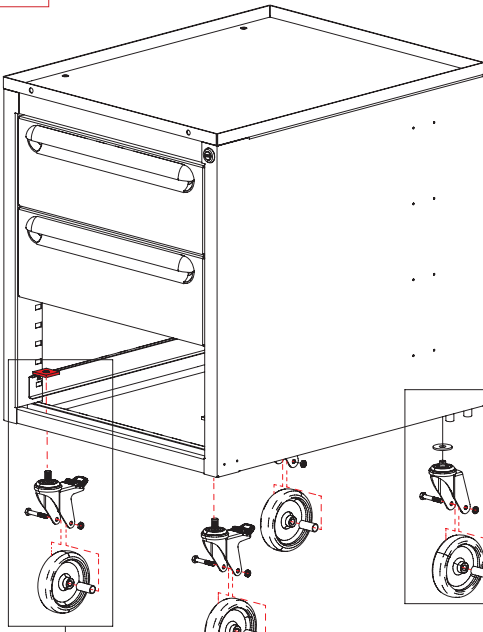


	<b>A</b>	6x M6x16	
	<b>B</b>	6x ø6,6x22	
	<b>C</b>	6x M6	


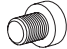


**3**

 SW10  SW6	<b>D</b>	2x 30x30mm	
	<b>E</b>	2x Ø30mm	
	<b>F</b>	4x M6x40	
	<b>G</b>	4x M6	
	<b>H</b>	4x	



4

 SW6	J	2x	M8x10mm	
	K	2x	Ø8,4mm/ Ø16mm	